

### Ductile Iron Silent Check Valves PN16/235PSI/Class 125

Globe Style Center-Oriented, Spring Actuated  
Flange Dimension EN1092-2, ANSI B16.1 Class 125



**CF970-V**  
2" - 16"

| Hydraulic Pressure Test |                 |
|-------------------------|-----------------|
| Body                    | 2.4Mpa/24Bar    |
| Seat                    | 1.76Mpa/17.6Bar |

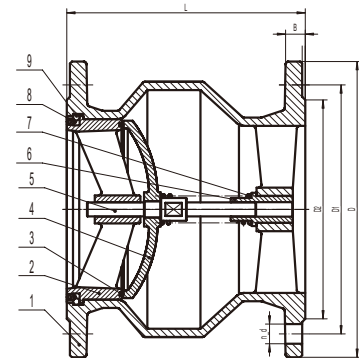
| Sealing Performance |              |
|---------------------|--------------|
| EPDM                | -20°C- 120°C |
| NBR                 | -10°C- 80°C  |

#### Materials List

| No | Part      | Specification                | BS EN        | ASTM          |
|----|-----------|------------------------------|--------------|---------------|
| 1  | Body      | Ductile Iron                 | BSEN1563     | A536 65-45-12 |
| 2  | Seat Body | Ductile Iron                 | BSEN1563     | A536 65-45-12 |
| 3  | Seat      | Rubber                       | EPDM         | EPDM          |
| 4  | Disc      | Ductile Iron/Stainless Steel | BSEN1563     | A536 65-45-12 |
| 5  | Stem      | Stainless Steel              | BS970 304S15 | S30400        |
| 6  | Bushing   | Brass                        | BS2874       | B16 C36000    |
| 7  | Spring    | Stainless Steel              | BS970 304S15 | S30400        |
| 8  | Screw     | Stainless Steel              | BS970 304S15 | S30400        |
| 9  | Ball      | Stainless Steel              | BS970 304S15 | S30400        |

\* Applicable to water supply system pipelines

\* Stainless steel shell, valve core & stem assembly (Fig. CF370V)



#### Dimensions-Weights

| mm     | 50   | 65   | 80   | 100  | 125  | 150  | 200   | 250   | 300   | 350   | 400   |    |
|--------|------|------|------|------|------|------|-------|-------|-------|-------|-------|----|
| In     | 2    | 2½   | 3    | 4    | 5    | 6    | 8     | 10    | 12    | 14    | 16    |    |
| L      | 133  | 140  | 152  | 185  | 216  | 230  | 259   | 362   | 393   | 400   | 448   |    |
| D      | 165  | 185  | 200  | 220  | 250  | 285  | 340   | 405   | 460   | 520   | 580   |    |
| D1     | 125  | 145  | 160  | 180  | 210  | 240  | 295   | 355   | 140   | 470   | 525   |    |
| D2     | 99   | 118  | 132  | 156  | 184  | 211  | 266   | 319   | 370   | 429   | 480   |    |
| B      | 19   | 19   | 19   | 19   | 19   | 19   | 20    | 22    | 24.5  | 26.5  | 28    |    |
| n-d    | 4-19 | 4-19 | 8-19 | 8-19 | 8-19 | 8-23 | 12-23 | 12-28 | 12-28 | 16-28 | 16-31 |    |
| Weight | Lbs  | 17   | 21   | 22   | 30   | 41   | 55    | 87    | 155   | 210   | 316   | -- |
|        | Kg   | 8    | 9    | 10   | 14   | 19   | 25    | 40    | 70    | 95    | 143   | -- |

#### Notes:

\* Silent check valves should be installed at the outlets of pumps.

\* Valves may be installed in any positions of horizontal or vertical pipelines, Not applicable to air compression pipelines.